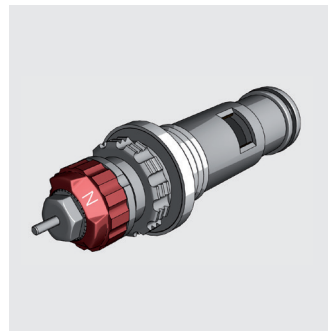


## T6 COMPACT & T6 PLAN

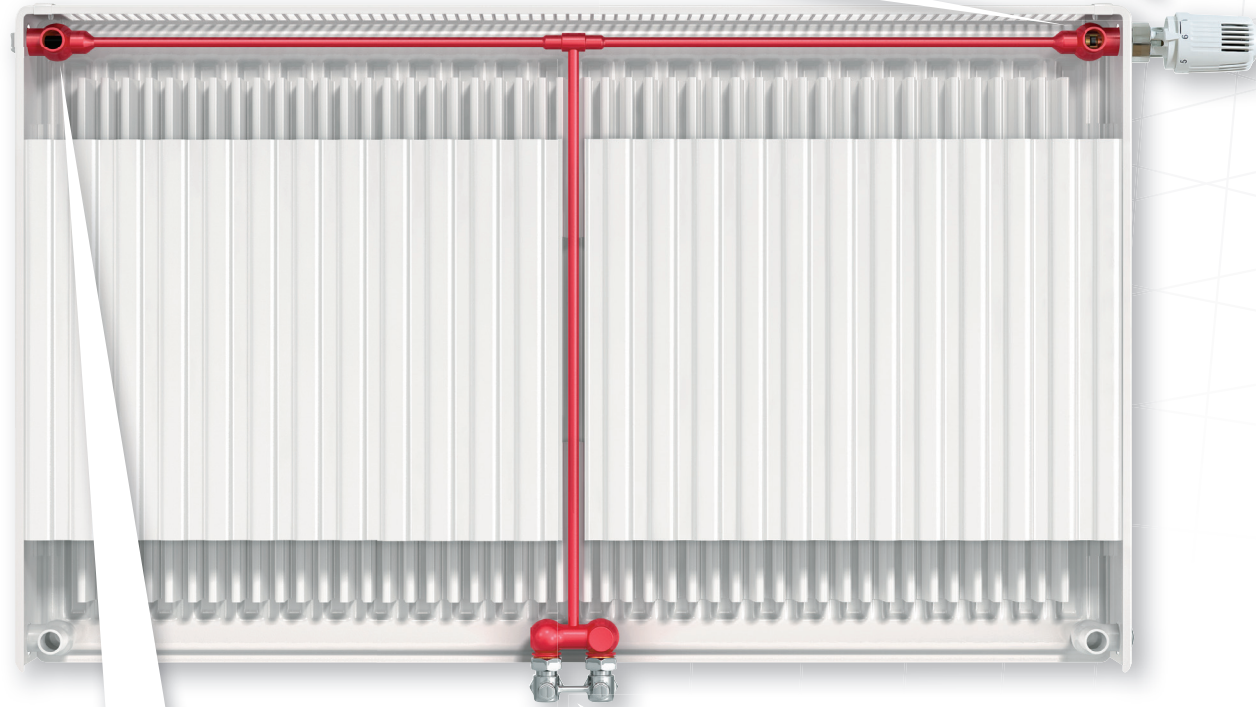
### GENERAL OVERVIEW



**Pre-set valve**  
factory fitted and pre-installed for correct flow rates.  
Can be reinstalled on the opposite side of the radiator if required.



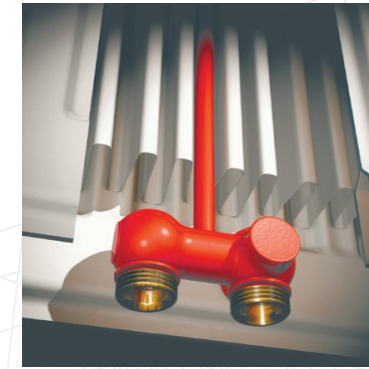
**Thermostatic sensor head**  
manufactured to work with the pre-set valve.  
Sold separately. See page 72.  
Note: not all TRV heads will fit.



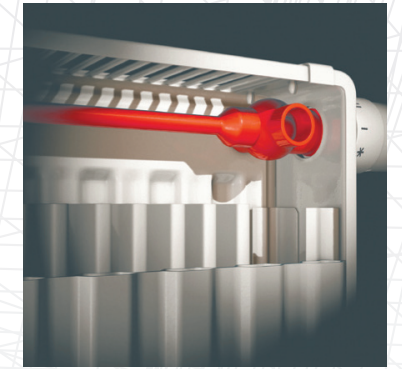
**T6 vent plug** used to vent the radiator.  
Pre-fitted and like the pre-set valve, can be removed and reinstalled on the opposite side of the radiator if required.



**Twin entry valve**  
for central connection. Available in straight or angled.  
Sold separately. See page 72.



**T6**  
TECHNOLOGY



### CENTRAL CONNECTION

- **Ultimate design/install flexibility:**  
Central connection allows for any size radiator to be installed once pipes have been placed
- **Patented 'T' distribution system:**  
T6 is the only radiator with this design, aiding even heat up of the panel
- **T6 provides the most effective water distribution method**

### PRE-SET VALVE







- **Pre-balances the radiator to the correct flow rate:**  
Based on the output of the radiator the correct valve is fitted at the factory
- **Pre-set valve is factory fitted for ease of installation. However it is removable and can be fitted to either side for added flexibility if required**
- **Helps maintain a more constant room temperature due to improved radiant output from panel**







### Did you know?

- There are 106 T6 COMPACT and 82 T6 PLAN SKU's in the MYSON range
- T6 is the market leading central connection radiator across Europe
- Outputs range from 339W to 4454W
- The benefits of central connection radiators have been utilised across Europe for over 20 years
- There are 7 connection options in total. Central connection is optimum for the T6. Please see page 67.

## T6 COMPACT & T6 PLAN

### GENERAL SPECIFICATION & TECHNICAL INFORMATION

-  **CERTIFICATION**  
Manufactured and tested to EN 442. Carries the CE Mark. Produced under a quality management system - ISO 9001:2015, environmental management system - ISO 14001:2015 and Occupational health and safety management system - OHSAS 18001.
-  **GUARANTEE**  
10 year guarantee from date of purchase against manufacturing defects.
-  **COLOUR**  
Finished in white (RAL 9016).
-  **ACCESSORIES**  
Central connection twin entry valve and Herz TRV are sold separately. Please see page 72.
-  **SYSTEM**  
2 pipe pumped indirect domestic and commercial heating applications.
-  **CONNECTIONS**  
4 x 1/2" BSP connections and 2 x 3/4" external thread, bottom center connections.

-  **AIR VENTS**  
Air vent and plug packs are pre-installed.
-  **OPERATING PRESSURES**  
Tested to a pressure of 13 bar. Working pressure of up to 10 bar.
-  **OPERATING TEMPERATURE**  
Maximum 110°C.
-  **DELIVERY**  
2 - 5 working days.
-  **VALVES**  
Please see page 72.
-  **BIM**  
Visit our website to download the BIM components [www.myson.co.uk/bim](http://www.myson.co.uk/bim)

For more general information, please see page 276.

#### T6 COMPACT WEIGHTS & WATER CONTENTS PER METRE LENGTH

Type	Nominal Height (mm)							
	300		400		500		600	
	Weight (kg)	Water Content (l)	Weight (kg)	Water Content (l)	Weight (kg)	Water Content (l)	Weight (kg)	Water Content (l)
11	11.35	2.00	14.78	2.60	16.61	3.30	18.41	3.70
21	-	-	-	-	25.29	6.10	28.82	7.10
22	19.45	3.90	26.03	5.00	29.79	6.10	33.36	7.10

#### T6 PLAN WEIGHTS & WATER CONTENTS PER METRE LENGTH

Type	Nominal Height (mm)							
	300		400		500		600	
	Weight (kg)	Water Content (l)	Weight (kg)	Water Content (l)	Weight (kg)	Water Content (l)	Weight (kg)	Water Content (l)
11	14.20	2.00	18.54	2.60	21.29	3.30	24.00	3.70
21	-	-	-	-	30.27	6.10	34.41	7.10
22	22.30	3.90	29.79	5.00	34.47	6.10	38.95	7.10

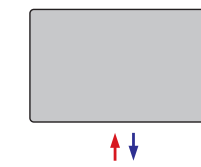
#### T6 COMPACT & T6 PLAN n-COEFFICIENTS

Type	Nominal Height (mm)							
	300		400		500		600	
	T6 COMPACT	T6 PLAN	T6 COMPACT	T6 PLAN	T6 COMPACT	T6 PLAN	T6 COMPACT	T6 PLAN
11	1.330	1.311	1.342	1.321	1.330	1.313	1.319	1.303
21	-	-	-	-	1.323	1.299	1.310	1.302
22	1.307	1.304	1.353	1.328	1.334	1.322	1.343	1.337

#### CONNECTION OPTIONS

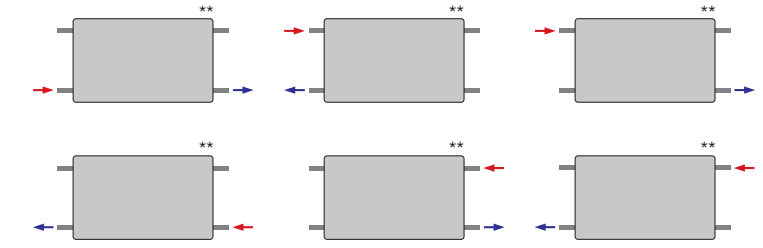
##### Centre connection 2 x 3/4"

For optimum performance



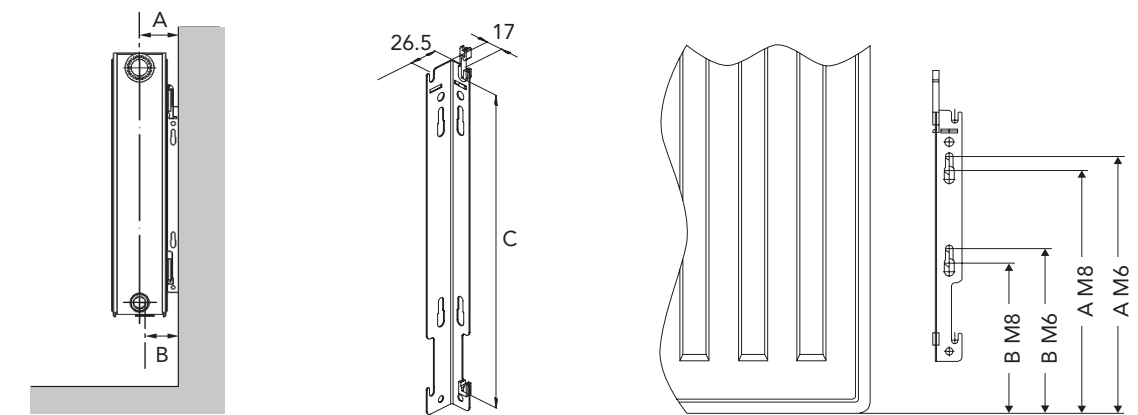
\*Flow specific.

##### External thread 4 x 1/2" BSP



\*\*When installing the T6 COMPACT & T6 PLAN radiators using the standard 4 x 1/2" BSP connections, the 3/4" bottom centre connections must be capped off using chrome caps (order code: TEBLANKCAP).  
NOTE: If using any of the above connections, the pre-set valve and baffle on the vent plug need to be removed and capped where necessary.

#### MOUNTING POSITIONS, DIMENSIONS & WALL BRACKETS



Type	A (mm)	B (mm)
11	50	50
21	74	66
22	86	66

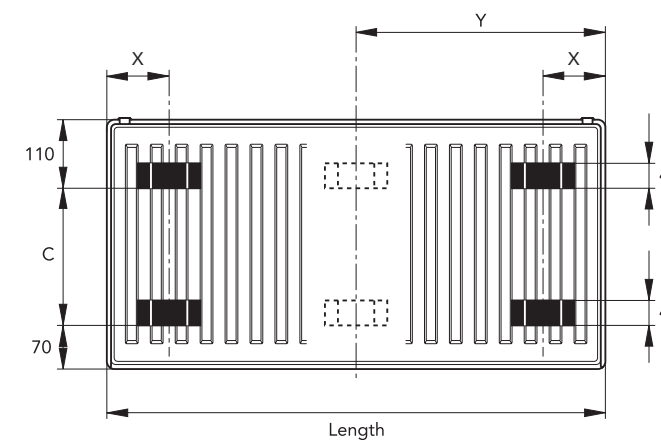
Height (mm)	C (mm)
300	123
400	223
500	323
600	423

Height (mm)	M8		M6	
	A (mm)	B (mm)	A (mm)	B (mm)
300	138	-	152.5	-
400	238	143	252.5	157.5
500	338	143	352.5	157.5
600	438	143	452.5	157.5

A = Wall to side connection.  
B = Wall to centre bottom connection.

NB: All measurements are nominal.

#### BRACKET POSITIONS & DIMENSIONS



Type	X (mm)	Nominal Height (mm)	C (mm)
21	100	400	220
22	100	500	320
		600	420

$$\text{Dimension Y} = \frac{\text{Overall Length}}{2}$$

For all radiators with an overall length of 1800mm and above.

**T6 COMPACT**  
HEAT OUTPUTS

Type 11



Nominal Height	Nominal Length (mm)
300mm	600
	1000
	1400
	2000

400mm	400
	600
	800
	1000
	1200
	1400
	1600
	1800
2000	

500mm	400
	520
	600
	720
	800
	920
	1000
	1200
	1400
	1600
	1800
2000	

600mm	400
	520
	600
	720
	800
	920
	1000
	1120
	1200
	1320
	1400
	1600
	1800
	2000
	2600

Heat Outputs @ ΔT 50°C		Heat Outputs @ ΔT 30°C		Order Code
Watts	Btu/h	Watts	Btu/h	
339	1157	172	587	T6C 30 SC 60
565	1928	286	977	T6C 30 SC 100
791	2699	401	1368	T6C 30 SC 140
1130	3856	573	1955	T6C 30 SC 200

283	966	143	487	T6C 40 SC 40
425	1450	214	731	T6C 40 SC 60
566	1931	285	973	T6C 40 SC 80
708	2416	357	1217	T6C 40 SC 100
850	2900	428	1461	T6C 40 SC 120
991	3381	499	1703	T6C 40 SC 140
1133	3866	571	1948	T6C 40 SC 160
1274	4347	642	2190	T6C 40 SC 180
1416	4831	713	2434	T6C 40 SC 200

337	1150	171	583	T6C 50 SC 40
438	1494	222	757	T6C 50 SC 52
506	1726	257	875	T6C 50 SC 60
607	2071	308	1050	T6C 50 SC 72
674	2300	342	1166	T6C 50 SC 80
776	2648	393	1342	T6C 50 SC 92
843	2876	427	1458	T6C 50 SC 100
1012	3453	513	1750	T6C 50 SC 120
1180	4026	598	2041	T6C 50 SC 140
1349	4603	684	2333	T6C 50 SC 160
1517	5176	769	2624	T6C 50 SC 180
1686	5753	855	2916	T6C 50 SC 200

376	1283	192	654	T6C 60 SC 40
488	1665	249	849	T6C 60 SC 52
563	1921	287	979	T6C 60 SC 60
676	2307	345	1176	T6C 60 SC 72
751	2562	383	1306	T6C 60 SC 80
864	2948	440	1503	T6C 60 SC 92
939	3204	479	1633	T6C 60 SC 100
1052	3589	536	1830	T6C 60 SC 112
1127	3845	575	1960	T6C 60 SC 120
1239	4227	632	2155	T6C 60 SC 132
1315	4487	670	2287	T6C 60 SC 140
1502	5125	766	2613	T6C 60 SC 160
1690	5766	862	2939	T6C 60 SC 180
1878	6408	957	3267	T6C 60 SC 200
2441	8329	1244	4246	T6C 60 SC 260

Type 21



Heat Outputs @ ΔT 50°C		Heat Outputs @ ΔT 30°C		Order Code
Watts	Btu/h	Watts	Btu/h	


491	1675	250	852	T6C 50 DPX 40
638	2177	325	1108	T6C 50 DPX 52
736	2511	374	1277	T6C 50 DPX 60
883	3013	449	1533	T6C 50 DPX 72
982	3351	500	1705	T6C 50 DPX 80
1129	3852	574	1960	T6C 50 DPX 92
1227	4187	624	2130	T6C 50 DPX 100
1472	5022	749	2555	T6C 50 DPX 120
1718	5862	874	2982	T6C 50 DPX 140
1963	6698	999	3408	T6C 50 DPX 160
2209	7537	1124	3834	T6C 50 DPX 180
2454	8373	1248	4260	T6C 50 DPX 200

543	1853	278	949	T6C 60 DPX 40
706	2409	362	1234	T6C 60 DPX 52
814	2777	417	1422	T6C 60 DPX 60
977	3334	500	1707	T6C 60 DPX 72
1086	3705	556	1897	T6C 60 DPX 80
1248	4258	639	2181	T6C 60 DPX 92
1357	4630	695	2371	T6C 60 DPX 100
1520	5186	778	2656	T6C 60 DPX 112
1628	5555	834	2845	T6C 60 DPX 120
1791	6111	917	3130	T6C 60 DPX 132
1900	6483	973	3320	T6C 60 DPX 140
2171	7407	1112	3793	T6C 60 DPX 160
2443	8336	1251	4269	T6C 60 DPX 180
2714	9260	1390	4742	T6C 60 DPX 200

Type 22



Heat Outputs @ ΔT 50°C		Heat Outputs @ ΔT 30°C		Order Code
Watts	Btu/h	Watts	Btu/h	
616	2102	316	1078	T6C 30 DC 60
1026	3501	526	1796	T6C 30 DC 100
1436	4900	737	2513	T6C 30 DC 140
2052	7001	1052	3591	T6C 30 DC 200

543	1853	272	928	T6C 40 DC 40
814	2777	408	1391	T6C 40 DC 60
1086	3705	544	1856	T6C 40 DC 80
1357	4630	680	2320	T6C 40 DC 100
1628	5555	816	2783	T6C 40 DC 120
1900	6483	952	3248	T6C 40 DC 140
2171	7407	1088	3711	T6C 40 DC 160
2443	8336	1224	4176	T6C 40 DC 180
2714	9260	1360	4639	T6C 40 DC 200

617	2105	312	1065	T6C 50 DC 40
802	2736	406	1384	T6C 50 DC 52
926	3160	468	1599	T6C 50 DC 60
1111	3791	562	1918	T6C 50 DC 72
1234	4210	624	2130	T6C 50 DC 80
1420	4845	718	2451	T6C 50 DC 92
1543	5265	781	2663	T6C 50 DC 100
1852	6319	937	3197	T6C 50 DC 120
2160	7370	1093	3728	T6C 50 DC 140
2469	8424	1249	4262	T6C 50 DC 160
2777	9475	1405	4793	T6C 50 DC 180
3086	10529	1561	5326	T6C 50 DC 200

685	2337	345	1177	T6C 60 DC 40
891	3040	449	1531	T6C 60 DC 52
1028	3508	518	1767	T6C 60 DC 60
1233	4207	621	2119	T6C 60 DC 72
1370	4674	690	2354	T6C 60 DC 80
1576	5377	794	2708	T6C 60 DC 92
1713	5845	863	2943	T6C 60 DC 100
1919	6548	966	3297	T6C 60 DC 112
2056	7015	1035	3533	T6C 60 DC 120
2261	7715	1139	3885	T6C 60 DC 132
2398	8182	1208	4120	T6C 60 DC 140
2741	9352	1380	4709	T6C 60 DC 160
3083	10519	1552	5297	T6C 60 DC 180
3426	11690	1725	5887	T6C 60 DC 200
4454	15197	2243	7653	T6C 60 DC 260

**HOW TO ORDER YOUR T6 COMPACT**

**1** Choose your T6 COMPACT

Includes brackets

**2** Choose your twin entry valve:  
Straight (TEVS)  
Angled (TEVA)

Includes a nut & olive pack

**3** Don't forget your TRV head:  
Herz TRV (HERZ)

HERZ



**T6 PLAN**  
HEAT OUTPUTS

Type 11



Nominal Height	Nominal Length (mm)
300mm	600
	1000
	1400
	2000

400mm	400
	600
	800
	1000
	1200
	1400
	1600
	1800
2000	

500mm	400
	600
	800
	1000
	1200
	1400
	1600
	1800
2000	

600mm	400
	600
	800
	1000
	1200
	1400
	1600
	1800
	2000
2600	

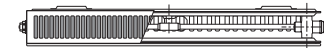
Heat Outputs @ ΔT 50°C		Heat Outputs @ ΔT 30°C		Order Code
Watts	Btu/h	Watts	Btu/h	
319	1088	163	557	T6P 30 SC 60
532	1815	272	929	T6P 30 SC 100
745	2542	381	1301	T6P 30 SC 140
1064	3630	545	1858	T6P 30 SC 200

264	901	134	459	T6P 40 SC 40
396	1351	202	688	T6P 40 SC 60
528	1802	269	918	T6P 40 SC 80
660	2252	336	1147	T6P 40 SC 100
792	2702	403	1376	T6P 40 SC 120
924	3153	471	1606	T6P 40 SC 140
1056	3603	538	1835	T6P 40 SC 160
1188	4053	605	2064	T6P 40 SC 180
1320	4504	672	2294	T6P 40 SC 200

314	1071	161	548	T6P 50 SC 40
470	1604	240	820	T6P 50 SC 60
627	2139	321	1094	T6P 50 SC 80
784	2675	401	1368	T6P 50 SC 100
941	3211	481	1642	T6P 50 SC 120
1098	3746	561	1915	T6P 50 SC 140
1254	4279	641	2188	T6P 50 SC 160
1411	4814	722	2462	T6P 50 SC 180
1568	5350	802	2736	T6P 50 SC 200

338	1153	174	593	T6P 60 SC 40
506	1726	260	887	T6P 60 SC 60
675	2303	347	1184	T6P 60 SC 80
844	2880	434	1480	T6P 60 SC 100
1013	3456	521	1776	T6P 60 SC 120
1182	4033	608	2073	T6P 60 SC 140
1350	4606	694	2367	T6P 60 SC 160
1519	5183	781	2664	T6P 60 SC 180
1688	5759	868	2960	T6P 60 SC 200
2194	7486	1128	3848	T6P 60 SC 260

Type 21



Heat Outputs @ ΔT 50°C		Heat Outputs @ ΔT 30°C		Order Code
Watts	Btu/h	Watts	Btu/h	


469	1600	242	824	T6P 50 DPX 40
704	2402	363	1237	T6P 50 DPX 60
938	3200	483	1648	T6P 50 DPX 80
1173	4002	604	2061	T6P 50 DPX 100
1408	4804	725	2474	T6P 50 DPX 120
1642	5603	846	2886	T6P 50 DPX 140
1877	6404	967	3298	T6P 50 DPX 160
2111	7203	1087	3710	T6P 50 DPX 180
2346	8005	1208	4123	T6P 50 DPX 200

520	1774	267	912	T6P 60 DPX 40
781	2665	402	1370	T6P 60 DPX 60
1041	3552	535	1827	T6P 60 DPX 80
1301	4439	669	2283	T6P 60 DPX 100
1561	5326	803	2739	T6P 60 DPX 120
1821	6213	936	3195	T6P 60 DPX 140
2082	7104	1071	3653	T6P 60 DPX 160
2342	7991	1204	4109	T6P 60 DPX 180
2602	8878	1338	4565	T6P 60 DPX 200

Type 22



Heat Outputs @ ΔT 50°C		Heat Outputs @ ΔT 30°C		Order Code
Watts	Btu/h	Watts	Btu/h	
590	2013	303	1034	T6P 30 DC 60
984	3357	505	1724	T6P 30 DC 100
1378	4702	708	2415	T6P 30 DC 140
1968	6715	1011	3449	T6P 30 DC 200

534	1822	271	925	T6P 40 DC 40
802	2736	407	1388	T6P 40 DC 60
1069	3647	542	1851	T6P 40 DC 80
1336	4558	678	2313	T6P 40 DC 100
1603	5469	813	2775	T6P 40 DC 120
1870	6380	949	3237	T6P 40 DC 140
2138	7295	1085	3702	T6P 40 DC 160
2405	8206	1220	4164	T6P 40 DC 180
2672	9117	1356	4626	T6P 40 DC 200

608	2074	309	1056	T6P 50 DC 40
912	3112	464	1584	T6P 50 DC 60
1216	4149	619	2112	T6P 50 DC 80
1520	5186	774	2640	T6P 50 DC 100
1824	6223	928	3167	T6P 50 DC 120
2128	7261	1083	3696	T6P 50 DC 140
2432	8298	1238	4224	T6P 50 DC 160
2736	9335	1393	4751	T6P 50 DC 180
3040	10372	1547	5279	T6P 50 DC 200

668	2279	337	1151	T6P 60 DC 40
1001	3415	506	1725	T6P 60 DC 60
1335	4555	674	2301	T6P 60 DC 80
1669	5695	843	2877	T6P 60 DC 100
2003	6834	1012	3452	T6P 60 DC 120
2337	7974	1180	4028	T6P 60 DC 140
2670	9110	1349	4602	T6P 60 DC 160
3004	10250	1517	5177	T6P 60 DC 180
3338	11389	1686	5753	T6P 60 DC 200
4339	14805	2192	7478	T6P 60 DC 260

**HOW TO ORDER YOUR T6 PLAN**

**1**  
Choose your T6 PLAN

Includes brackets

**2**  
Choose your twin entry valve:  
Straight (TEVS)  
Angled (TEVA)

Includes a nut & olive pack

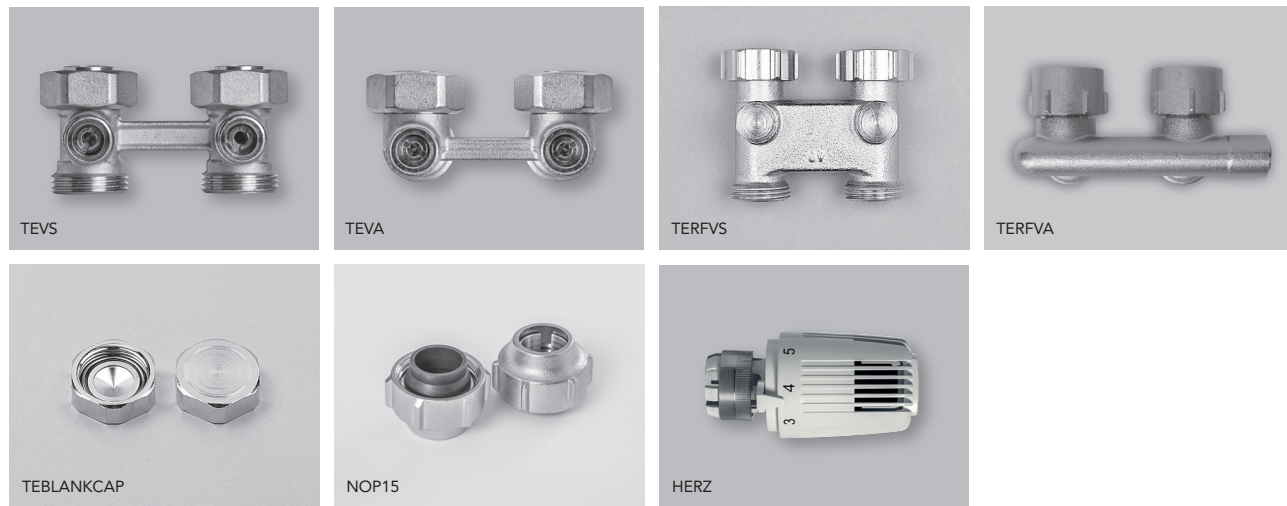
**3**  
Don't forget your TRV head:  
Herz TRV (HERZ)

HERZ

PREMIUM  
PANEL RADIATORS

PREMIUM  
PANEL RADIATORS

ACCESSORIES	
Product	Order Code
Twin Entry Valve (Straight)*	TEVS
Twin Entry Valve (Angled)*	TEVA
Twin Entry Reversible Flow Valve (Straight)*	TERFVS
Twin Entry Reversible Flow Valve (Angled)*	TERFVA
3/4" Chrome Caps - to blank off the twin-entry tappings	TEBLANKCAP
15mm Nut & Olive Pack (Copper)	NOP15
Herz-TS Thermostatic Sensor Head (White)	HERZ



\*Nut & olive pack included

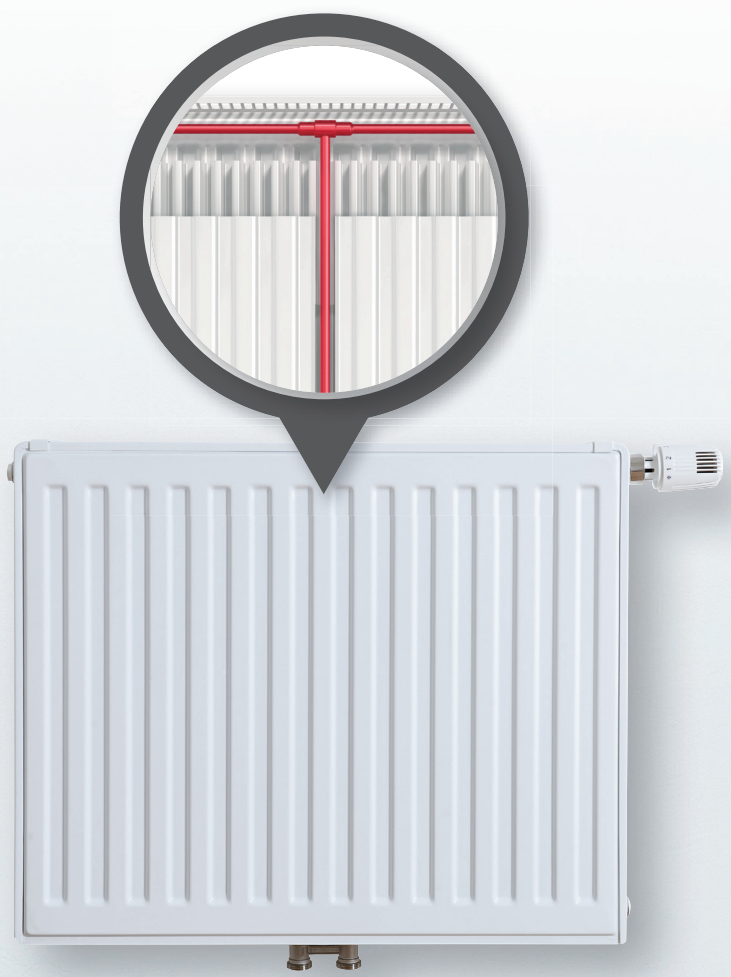


Compact



Plan

## Pioneering Central Connection



-   
**Patented T6  
Technology**
-   
**Pre-set  
Valve Insert**
-   
**Design  
Flexibility**
-   
**Central  
Connection**
-   
**Plan Option  
Available**